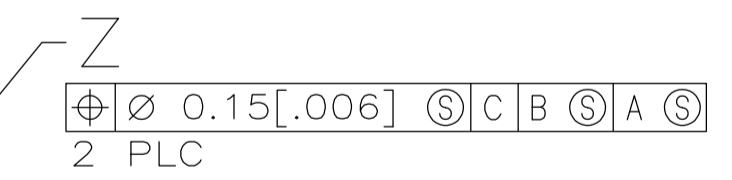
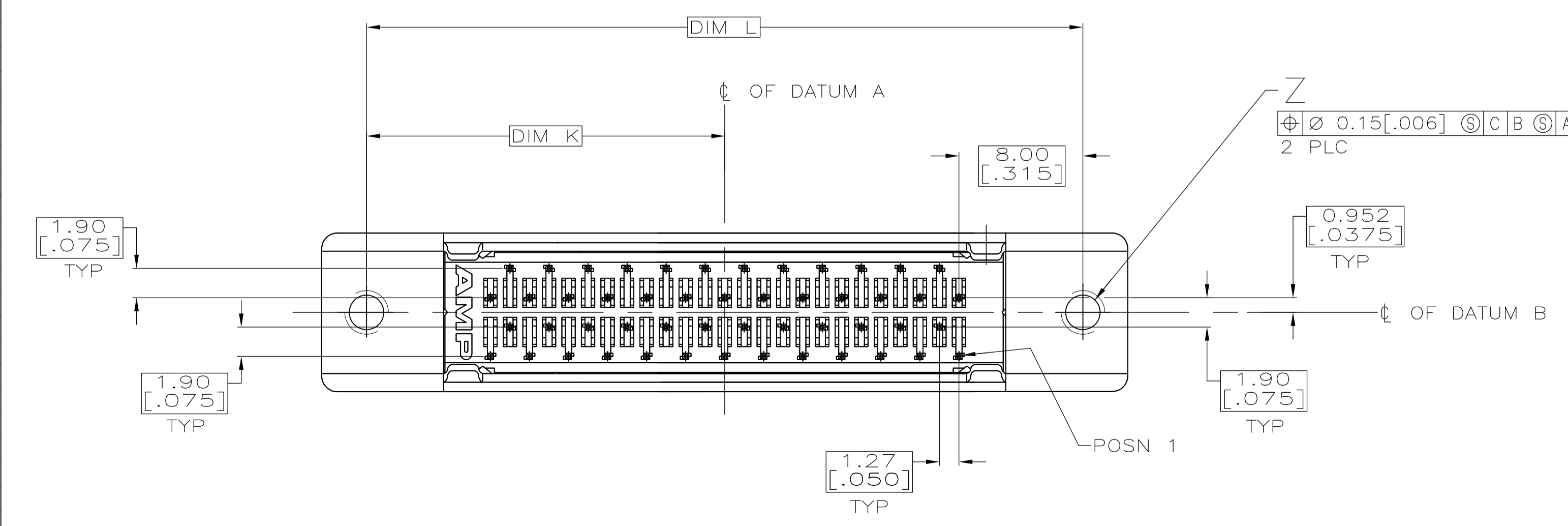


- 1 POSITION TOLERANCE APPLIES AT CONTACT TIP.
- 2 POSITION NUMBERS SHOWN FOR REFERENCE ONLY.
- 3 MATERIAL:
HOUSING - POLYPHTHALAMIDE, BLACK, UL 94-VO RATED.
SHELL - CARBON STEEL.
CONTACTS - PHOSPHOR BRONZE.
BRACKET - ZINC.
- 4 FINISH:
SHELL - $5.08 \mu\text{m}$ [.000200] MIN NICKEL OVER $1.27 \mu\text{m}$ [.000050] MIN COPPER.
BRACKET - $3.81 \mu\text{m}$ [.000150] MIN NICKEL OVER $5.08 \mu\text{m}$ [.000200] MIN COPPER.
CONTACTS - EITHER $0.76 \mu\text{m}$ [.000030] MIN GOLD PLATE OR GOLD FLASH OVER PALLADIUM NICKEL PLATE, $0.76 \mu\text{m}$ [.000030] MIN TOTAL, FOR A LENGTH OF 0.64 [.025] MIN, 0.13 [.005] MAX FROM MATING END, $1.27 \mu\text{m}$ [.000050] MIN TIN ON OPPOSITE END FOR A LENGTH OF 7.49 [.295] MIN, BOTH OVER $1.27 \mu\text{m}$ [.000050] MIN NICKEL.
- 5 PC BOARD HOLE RECOMMENDATIONS:
A. HOLES SHOULD BE DRILLED WITH A 0.701 [.0276] DRILL.
B. PC BOARD PLATING TO BE $7.62 \mu\text{m}$ [.000300] MIN TIN OVER $0.025-0.038$ [.0010-.0015] COPPER.
C. RECOMMENDED HOLE SIZE AFTER TIN PLATING IS $0.56-0.66$ [.022-.026].



PER DETAIL X	3.07 DIA [.121]	63.88 [2.515]	41.91 [1.650]	46.13 [1.816]	57.91 [2.280]	28.96 [1.140]	68	1-5786557-1
PER DETAIL X	4-40 UNC-2B	84.20 [3.315]	62.23 [2.450]	66.45 [2.616]	78.23 [3.080]	39.12 [1.540]	100	5786557-9
PER DETAIL X	4-40 UNC-2B	63.88 [2.515]	41.91 [1.650]	46.13 [1.816]	57.91 [2.280]	28.96 [1.140]	68	5786557-7
PER DETAIL Y	4-40 UNC-2B	52.45 [2.065]	30.48 [1.200]	34.70 [1.366]	46.48 [1.830]	23.24 [.915]	50	5786557-5
RECOMMENDED PCB MTG DIMENSIONS	Z	R	P	N	L	K	NO OF POSN	PART NUMBER

COPYRIGHT 2005 TYCO ELECTRONICS CORP ALL RIGHTS RESERVED

THIS DRAWING IS A CONTROLLED DOCUMENT.

DIMENSIONS: mm [INCHES]

TOLERANCES UNLESS OTHERWISE SPECIFIED:

0 PLC	±	-
1 PLC	±	-
2 PLC	±	0.13 [.005]
3 PLC	±	-
4 PLC	±	-
ANGLES	±	-

MATERIAL: 3 FINISH: 4

APPROVED: G. ATTADIA - DOCKS, S. SHUFLEY, M. WALMSLEY

NAME: RECEPTACLE ASSEMBLY, SHIELDED, VERTICAL, FLAT TOP, ACTION PIN FOR .125 TO .200 THICK BD, AMPLIMITE .050 SERIES

APPLICATION SPEC: 108-1228

SIZE: A1

SCALE: 4:1

SHEET: 1 OF 1

REV: B